

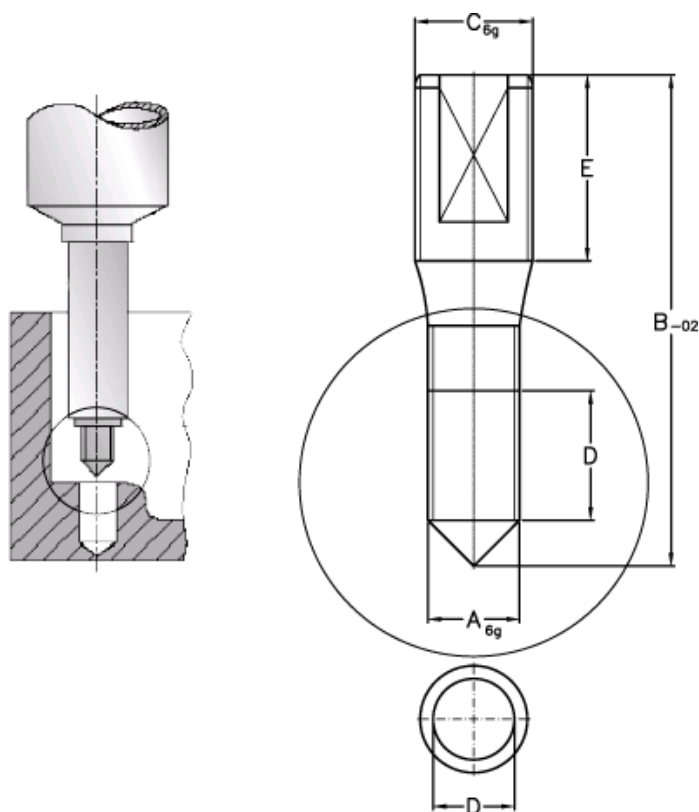
# Data Sheet



Article number: 12621000035700

Description: Threaded pin 621 000 035.700  
For M3,5

## Measures



A = M3,5

B = 69.5

C = M4

D = 12.0

E = 13